



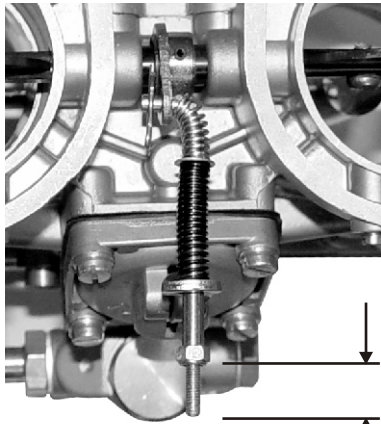
40/44 EMPI HPMX Carburetors

Basic Lean Best Idle Adjustments

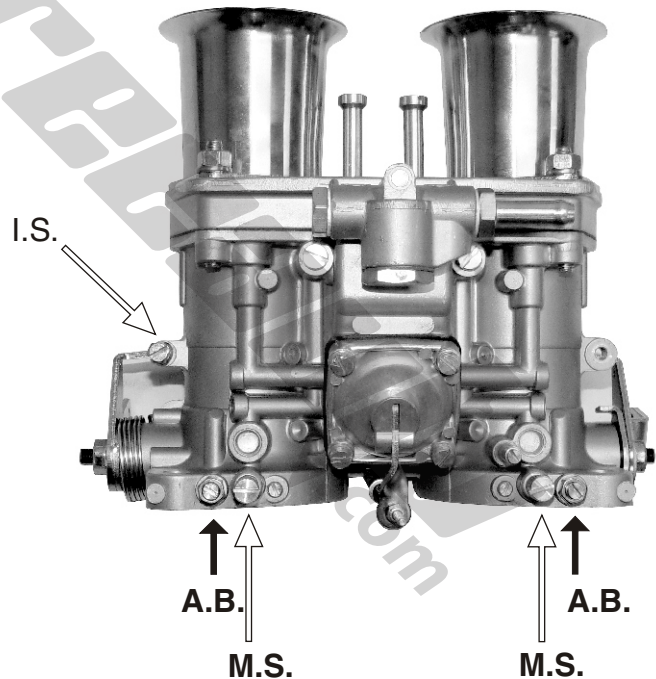
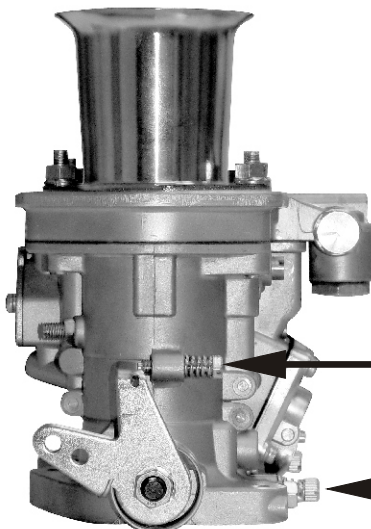
Please note: The adjustments listed on this page are approximate lean best idle starting points. EMPI USA is not responsible for tuner error.

1. Air Bleed screws are to air be lightly seated, Close the air bleed screws clockwise until lightly seated. Tighten the lock nut when bleed screws are closed.
2. Mixture Screws are adjusted from the closed position, turn clockwise until lightly seated, Counter clockwise out 1 ½ turns for adjustment.
3. Idle Speed Screws are adjusted from the first point of contact with the linkage arm. Adjust the Idle speed screw clockwise ½ turn after first contact with the linkage arm.

Adjustment for the accelerator pump rod needs to be 7mm from the end of the rod to the top of the nylock nut. These adjustments have varied on each carburetor. This is critical!



7mm



Idle Speed Screw

Turn clockwise ½ turn from first contact with the linkage arm

Mixture Screws

Lightly seat (close) mixture screws clockwise, Then Turn counter clockwise out 1 ½ turns each for setting.