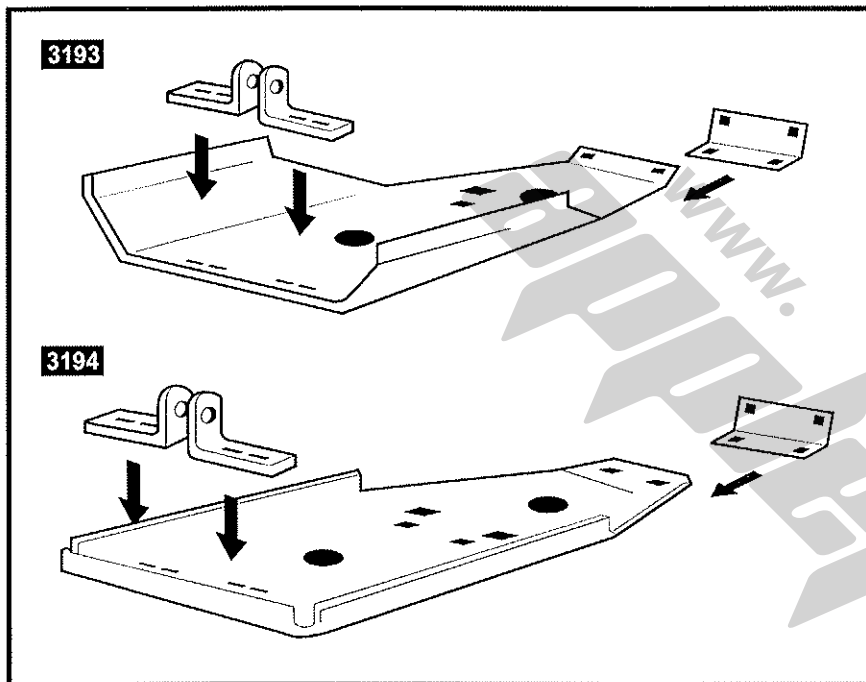




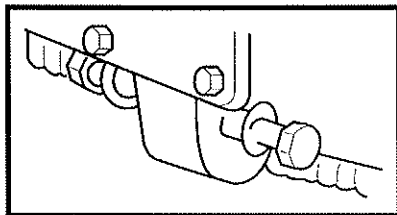
SKID PLATE INSTRUCTIONS

EMPI # 3193 & 3194



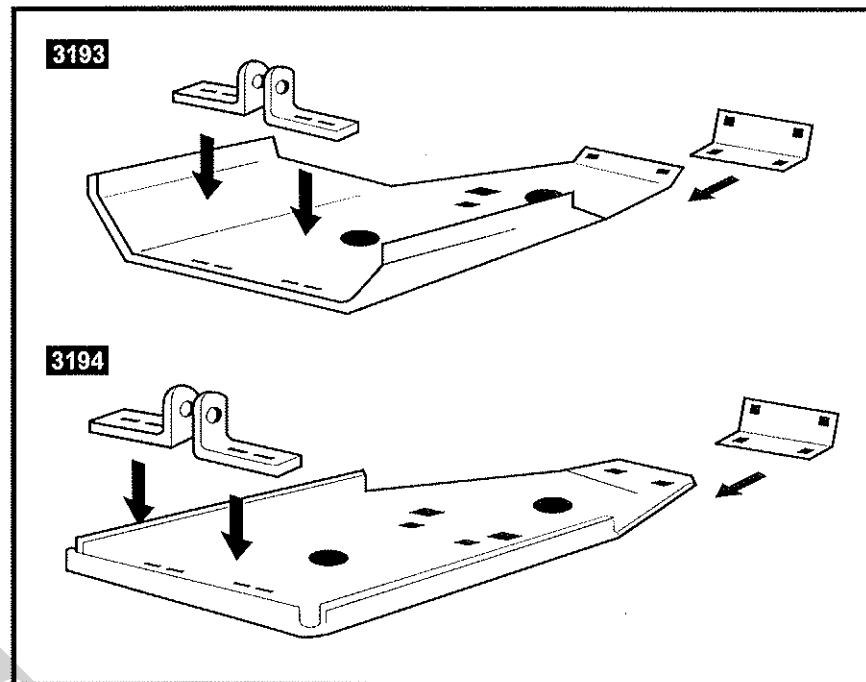
INSTRUCTIONS:

1. Assemble two(2) L-Shaped brackets to rear of skid plate. **DO NOT** tighten.
2. Assemble front mount bracket to skid plate and tighten securely.
3. Disassemble bolt, nut and washer from engine case located directly below oil pump.
4. Install skid plate with rear L-Brackets to engine case using longer bolt supplied with hardware kit.
5. Position front of skid plate so mount bracket is centered and flush on pan. Either drill and bolt front mount to pan or weld into position.
6. Center of skid plate accommodates mounting to H.D. trans mounts #9530/9541. It is recommended to utilize these mount points if hard use is intended.



SKID PLATE INSTRUCTIONS

EMPI # 3193 & 3194



INSTRUCTIONS:

1. Assemble two(2) L-Shaped brackets to rear of skid plate. **DO NOT** tighten.
2. Assemble front mount bracket to skid plate and tighten securely.
3. Disassemble bolt, nut and washer from engine case located directly below oil pump.
4. Install skid plate with rear L-Brackets to engine case using longer bolt supplied with hardware kit.
5. Position front of skid plate so mount bracket is centered and flush on pan. Either drill and bolt front mount to pan or weld into position.
6. Center of skid plate accommodates mounting to H.D. trans mounts #9530/9541. It is recommended to utilize these mount points if hard use is intended.

