

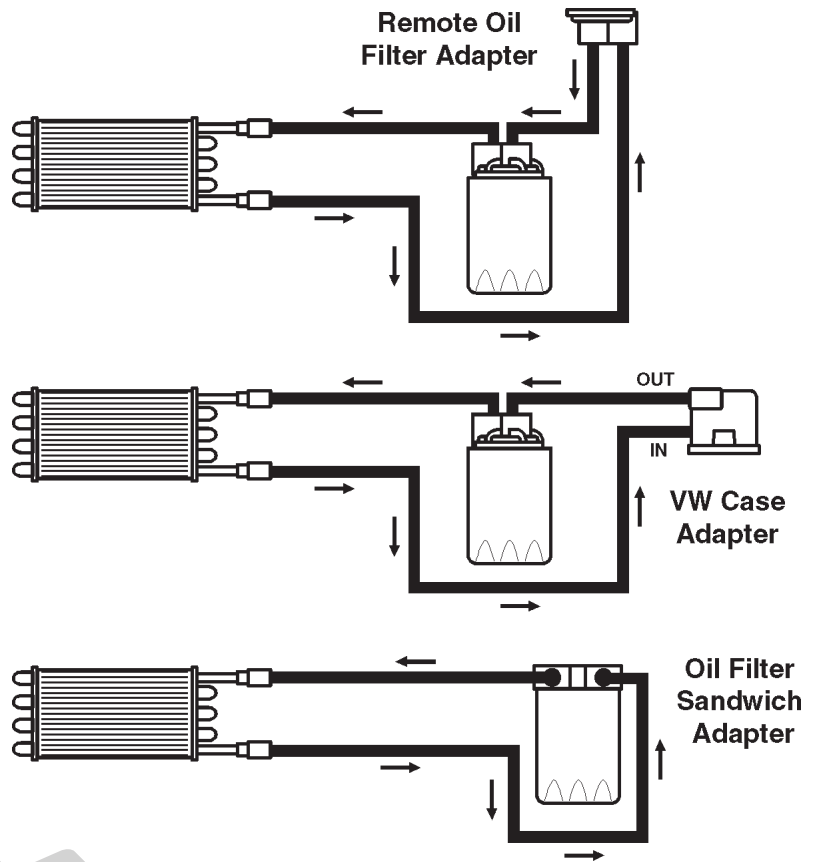


## EMPI COMPETITION ENGINE OIL COOLERS

Thank you for purchasing the EMPI Cooler or Cooler Kit. The coolers and hardware are of the highest quality on the market. Each cooler is thoroughly tested to withstand in excess of 500 LBS/PSI.

It is critical that the cooler is installed properly and all fittings tightened carefully. If the cooler requires fittings in order to mount the oil lines, install and tighten using two properly sized wrenches. One to tighten the fitting, and the other to support the cooler end to prevent it from twisting causing it to break and therefore leak. Before mounting look for an area suitable for the cooler, its hardware and all the lines. Be sure the lines are not pinched when installed and do not interfere with any moving parts.

(DO NOT install cooler in an area that will alter its factory shape by twisting or bending, this will Void the limited warranty). DO NOT weld on cooler. When installing your oil lines be sure to support the cooler end while pushing on, or pulling off lines. This will help to prevent unnecessary stress on the cooler and the possibility for breakage causing a leak. NO EXCHANGE can be made for a cooler that appears to have been damaged do to improper installation or mounted in such a way that would twist the brazed plates apart.



99-4021/1103

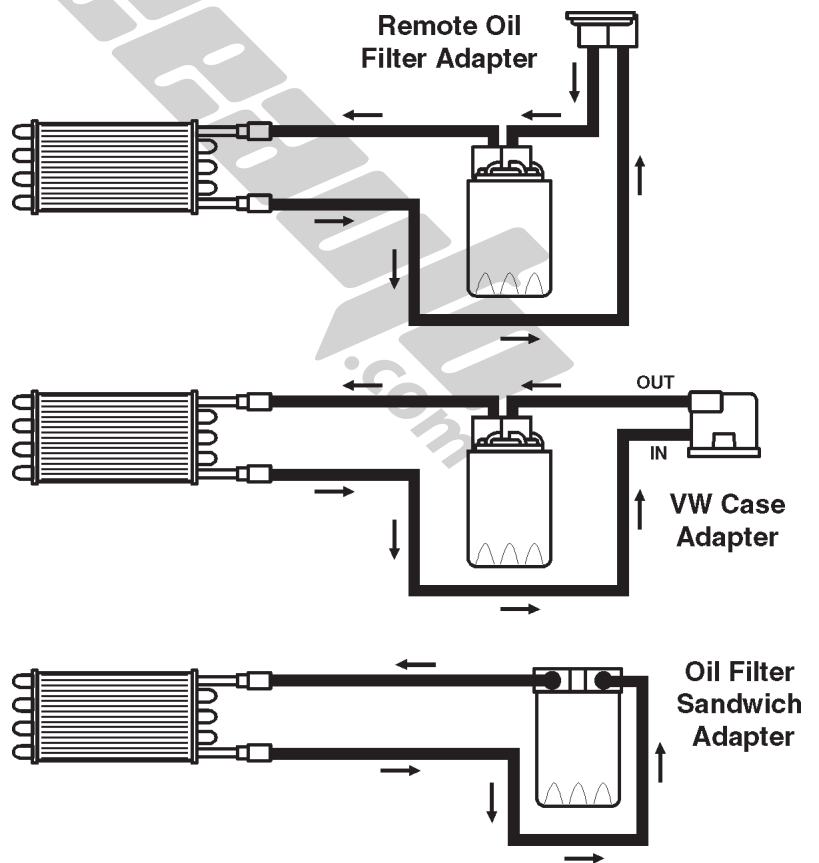


## EMPI COMPETITION ENGINE OIL COOLERS

Thank you for purchasing the EMPI Cooler or Cooler Kit. The coolers and hardware are of the highest quality on the market. Each cooler is thoroughly tested to withstand in excess of 500 LBS/PSI.

It is critical that the cooler is installed properly and all fittings tightened carefully. If the cooler requires fittings in order to mount the oil lines, install and tighten using two properly sized wrenches. One to tighten the fitting, and the other to support the cooler end to prevent it from twisting causing it to break and therefore leak. Before mounting look for an area suitable for the cooler, its hardware and all the lines. Be sure the lines are not pinched when installed and do not interfere with any moving parts.

(DO NOT install cooler in an area that will alter its factory shape by twisting or bending, this will Void the limited warranty). DO NOT weld on cooler. When installing your oil lines be sure to support the cooler end while pushing on, or pulling off lines. This will help to prevent unnecessary stress on the cooler and the possibility for breakage causing a leak. NO EXCHANGE can be made for a cooler that appears to have been damaged do to improper installation or mounted in such a way that would twist the brazed plates apart.



99-4021/1103